
Comfort-Aire®

Century®

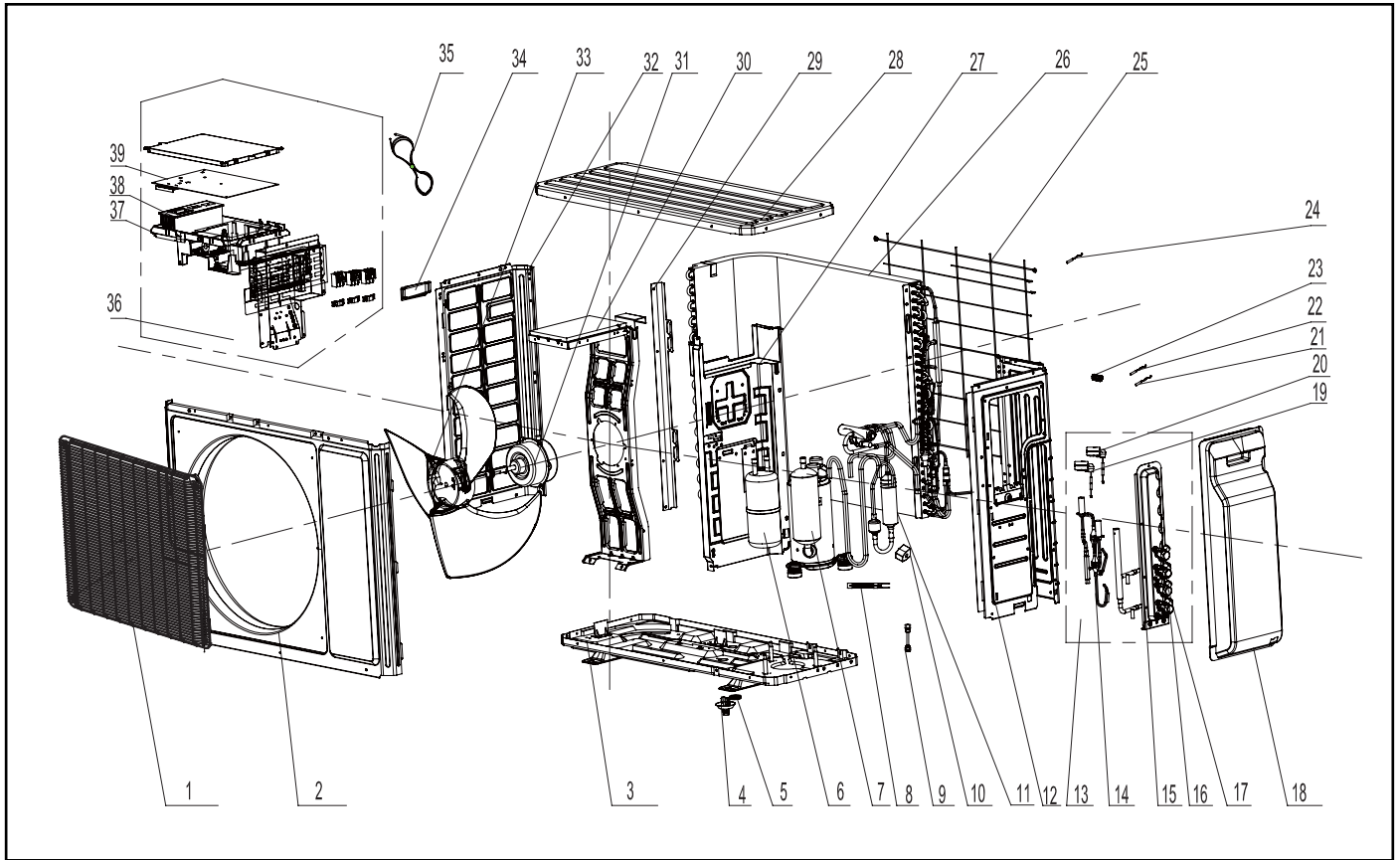
MARS®
Delivering Confidence

REPLACEMENT PARTS LIST

**InverterFlex Series®
Outdoor Ductless Mini-Split**

A-VFH18DB-1

EXPLODED VIEW



REPLACEMENT PARTS

Location	Part Name	Quantity	Part No.
1	Front Grill	1	01473049
2	Front Panel Assembly	1	00000300024
3	Chassis Sub-Assembly	1	02803263P
4	Drainage Connector	1	06123401
5	Drainage Hole Cap	1	06813401/76713033/76713068
6	Gas-Liquid Separator Assembly (Accumulator)	1	07223048
7	Compressor and Fittings	1	00105249G
8	Electrical Heater (Compressor Crankcase Heater)	1	7651300403
9	Tube Connector Sub-Assembly	/	/
10	Coil for 4-Way Valve	1	4300040045
11	4-Way Valve Assembly	1	03073328
12	Right Side Plate	1	0130326801P
13	Valve Support Assembly	1	03016300003
14	Electronic Expansion Valve Assembly	1	03017400020
15	Valve Support Sub-Assembly	1	0171312802P
16	Cut Off Valve (liquid)	1	07130239
17	Cut Off Valve (vapor)	1	071302391
18	Valve Cover	/	200087000004
19	Electric Expand Valve Fitting	1	43000084
20	Electric Expand Valve Fitting	1	4300008401
21	Temperature Sensor	1	39000073
22	Temperature Sensor	1	3900007301
23	Wiring Clamp	1	26115004
24	Temperature Sensor	1	39000073
25	Rear Grill	1	01473043
26	Condenser Assembly	1	011002000279_L61437
27	Clapboard Assembly	1	0123315301
28	Coping	1	012049000007P
29	Supporting Board (Condenser)	1	01795010
30	Motor Support Sub-Assembly	1	01705067
31	Fan Motor	1	1501506402
32	Left Side Plate	1	01305093P
33	Axial Flow Fan	1	10335008
34	Left Handle	1	2623305301
35	Connecting Cable	/	/
36	Electric Box Assembly	1	10000100023_L61437
37	Electric Box	1	20113027
38	Radiator	1	49010252
39	Main Board	1	30138000310
Not Shown	Carton	1	51029961463
Not Shown	AP2 or Filter Board	1	30033089

Due to ongoing product improvements, specifications and dimensions are subject to change and correction without notice or incurring obligations. Determining the application and suitability for use of any product is the responsibility of the installer. Additionally, the installer is responsible for verifying dimensional data on the actual product prior to beginning any installation preparations.

Incentive and rebate programs have precise requirements as to product performance and certification. All products meet applicable regulations in effect on date of manufacture; however, certifications are not necessarily granted for the life of a product. Therefore, it is the responsibility of the applicant to determine whether a specific model qualifies for these incentive/rebate programs.

Comfort-Cire®  **Century**

1900 Wellworth Ave., Jackson, MI 49203 • Ph. 517-787-2100 • www.marsdelivers.com

